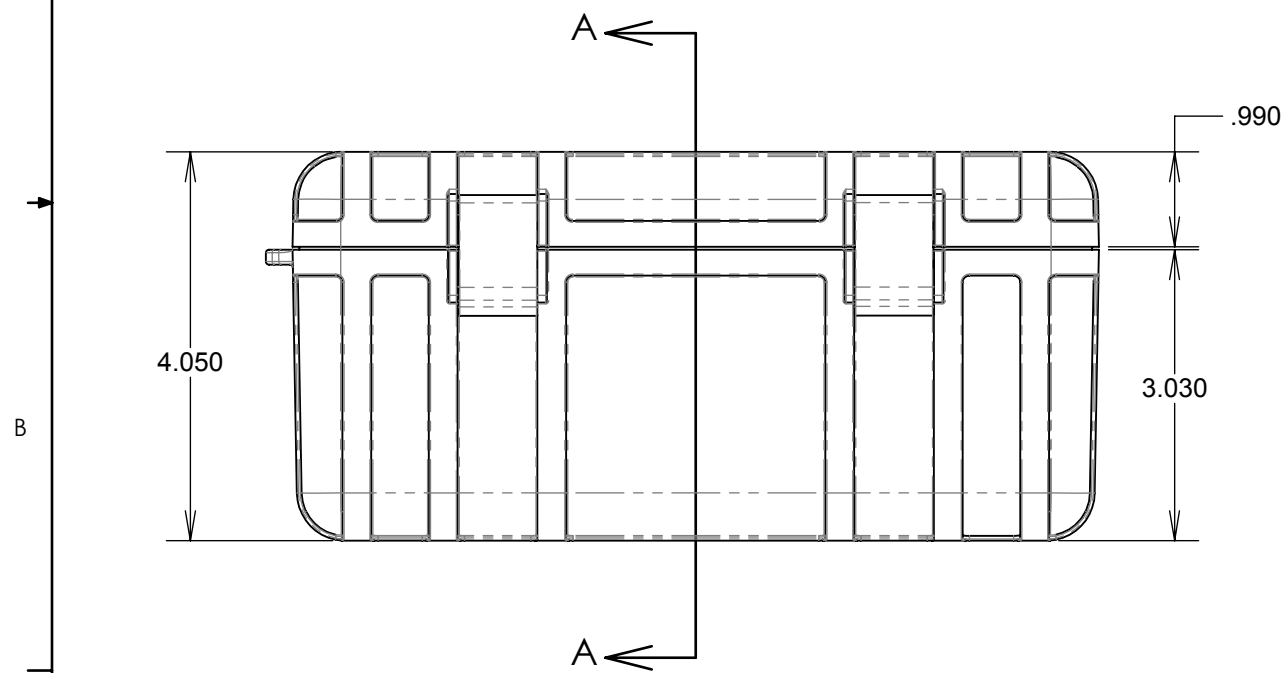
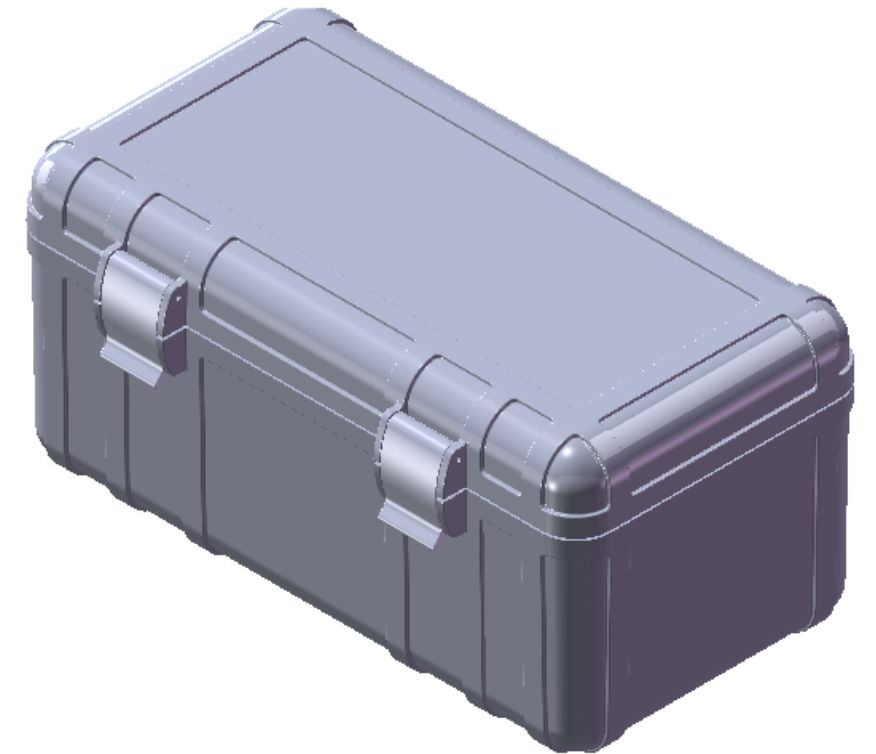


SECTION B-B



SECTION A-A



NOTE:
1. DRAWING FOR REFERENCE ONLY.

UNLESS OTHERWISE SPECIFIED DIMENSIONS ARE IN INCHES		NAME	DATE	S3 Cases, LLC 4014 S. LeMay Ave. #25 Fort Collins, CO 80525	
Sheet Metal Tolerances Angular: ± 1° Edge to Edge: ± .01 Hole Size: ± .003 Hole to Hole OR Edge: ± .005 Hole to Bend: ± .01 Bend to Edge: ± .01 Bend to Bend: ± .02 Self Clinching Components Use Hole Tolerances. & Add: ± .01 All dims. are Outside unless specified.		DRAWN	SD&D		
Machined Tolerances Angular: ± .5° Fractional: ± 1/32 Two Place Decimal: ± .010" Three Place Decimal: ± .005" Four Place Decimal: ± .001"		CHECKED			
PROPRIETARY AND CONFIDENTIAL The information contained in this drawing is the sole property of S3 Cases, LLC. Any reproduction in part or as a whole without the written permission of S3 Cases, LLC is prohibited.		REVIEW			
		APPROVAL			
		COMMENTS			
		MATERIAL			
		FINISH			
		SIMILAR TO			
		SIZE		REV	
		Scale: 1:2		Sheet 1 of 1	