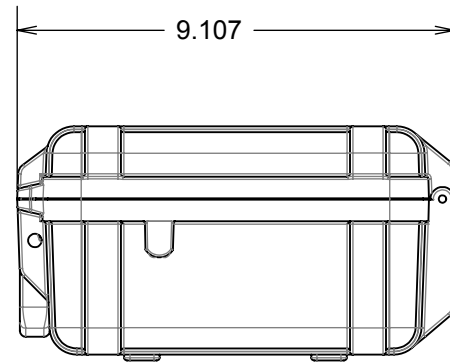
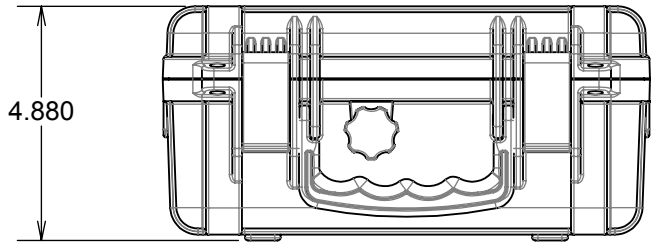
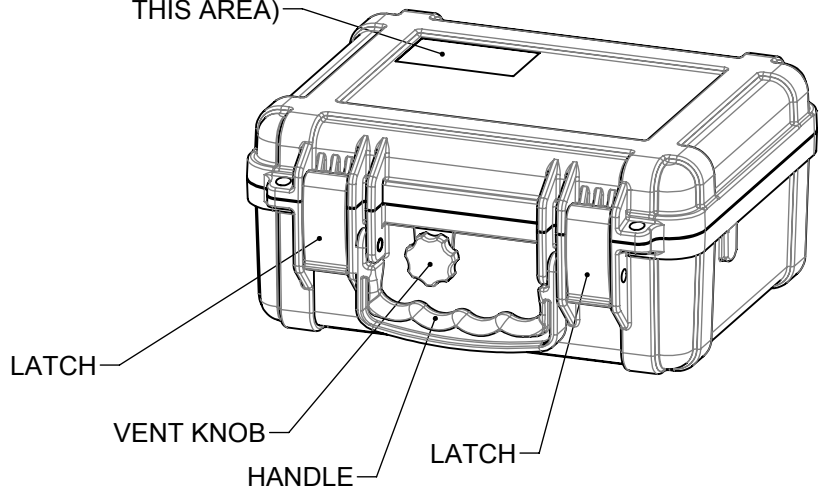
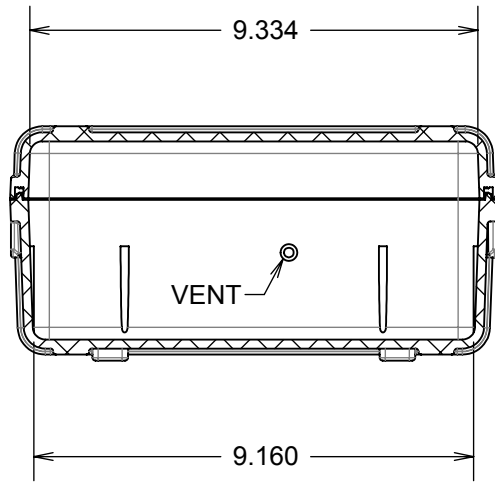


BLANK INSERT IN MOLD FOR LOGO (NO TEXTURE IN THIS AREA)

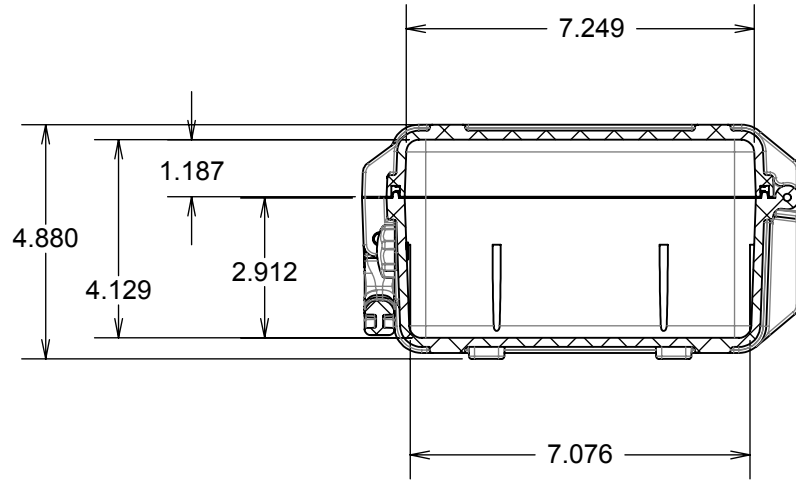
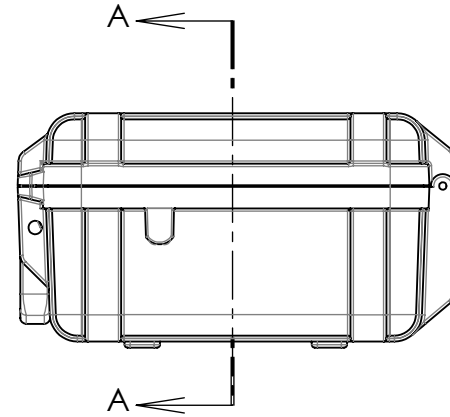


**PROPRIETARY AND CONFIDENTIAL**  
 THE INFORMATION CONTAINED IN THIS DRAWING IS THE SOLE PROPERTY OF <INSERT COMPANY NAME HERE>. ANY REPRODUCTION IN PART OR AS A WHOLE WITHOUT THE WRITTEN PERMISSION OF <INSERT COMPANY NAME HERE> IS PROHIBITED.

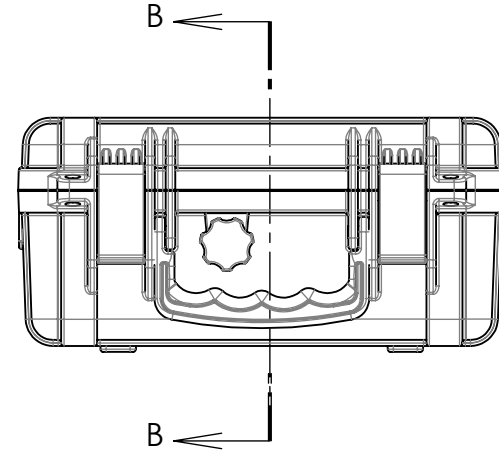
		UNLESS OTHERWISE SPECIFIED:	NAME	DATE	<b>S3 CASES,LLC</b>	
		DIMENSIONS ARE IN INCHES TOLERANCES: FRACTIONAL ± ANGULAR: MACH ± BEND ± TWO PLACE DECIMAL ± THREE PLACE DECIMAL ±	DRAWN	S.D.&D.		
		INTERPRET GEOMETRIC TOLERANCING PER:	CHECKED		TITLE: <b>T 5000 CASE EXTERIOR CASE DIMENSIONS</b>	
		MATERIAL <b>SEE INDIVIDUAL COMPONENTS</b>	ENG APPR.			
NEXT ASSY	USED ON	FINISH	MFG APPR.		SIZE	DWG. NO.
APPLICATION		DO NOT SCALE DRAWING	Q.A.		<b>A</b>	
			COMMENTS:		SCALE: 1:4	WEIGHT:
						SHEET 1 OF 3



SECTION A-A



SECTION B-B



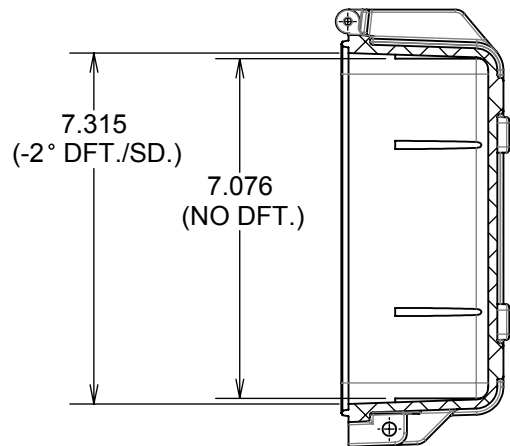
**PROPRIETARY AND CONFIDENTIAL**  
 THE INFORMATION CONTAINED IN THIS DRAWING IS THE SOLE PROPERTY OF <INSERT COMPANY NAME HERE>. ANY REPRODUCTION IN PART OR AS A WHOLE WITHOUT THE WRITTEN PERMISSION OF <INSERT COMPANY NAME HERE> IS PROHIBITED.

		UNLESS OTHERWISE SPECIFIED:	NAME	DATE
		DIMENSIONS ARE IN INCHES	DRAWN	S.D.&D. 11/20/10
		TOLERANCES:	CHECKED	
		FRACTIONAL ±	ENG APPR.	
		ANGULAR: MACH ± BEND ±	MFG APPR.	
		TWO PLACE DECIMAL ±	Q.A.	
		THREE PLACE DECIMAL ±	COMMENTS:	
		INTERPRET GEOMETRIC TOLERANCING PER:		
		MATERIAL <b>SEE INDIVIDUAL COMPONENTS</b>		
NEXT ASSY	USED ON	FINISH		
APPLICATION		DO NOT SCALE DRAWING		

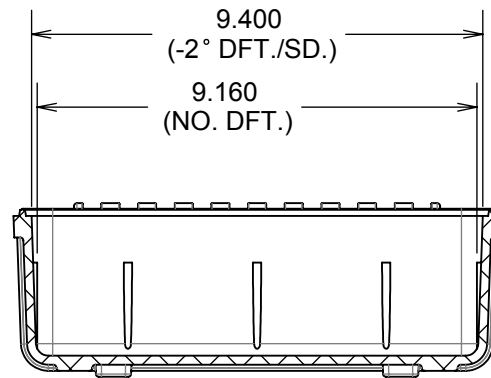
**S3 CASES, LLC**

TITLE:  
**T 5000 CASE  
 INTERIOR CASE  
 DIMENSIONS**

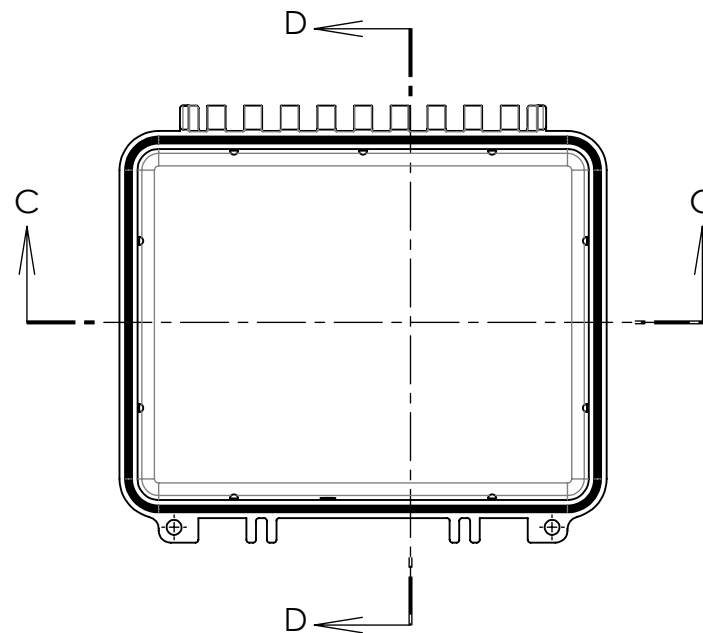
SIZE	DWG. NO.	REV
<b>A</b>		
SCALE: 1:4	WEIGHT:	SHEET 2 OF 3



SECTION D-D



SECTION C-C



**PROPRIETARY AND CONFIDENTIAL**  
 THE INFORMATION CONTAINED IN THIS DRAWING IS THE SOLE PROPERTY OF <INSERT COMPANY NAME HERE>. ANY REPRODUCTION IN PART OR AS A WHOLE WITHOUT THE WRITTEN PERMISSION OF <INSERT COMPANY NAME HERE> IS PROHIBITED.

		UNLESS OTHERWISE SPECIFIED:		NAME	DATE	<b>S3 CASES, LLC</b>	
		DIMENSIONS ARE IN INCHES TOLERANCES: FRACTIONAL ± ANGULAR: MACH ± BEND ± TWO PLACE DECIMAL ± THREE PLACE DECIMAL ±		DRAWN	D.S.&D.		
		INTERPRET GEOMETRIC TOLERANCING PER:		CHECKED			TITLE: <b>T 5000 CASE INTERIOR CASE BOTTOM DIMENSIONS</b>
		MATERIAL <b>SEE INDIVIDUAL COMPONENTS</b>		ENG APPR.			
		FINISH		MFG APPR.			
NEXT ASSY	USED ON			Q.A.			SIZE <b>A</b>
APPLICATION		DO NOT SCALE DRAWING		COMMENTS:			DWG. NO.
							REV
							SCALE: 1:4
							WEIGHT:
							SHEET 3 OF 3