

**PROPRIETARY AND CONFIDENTIAL**  
 THE INFORMATION CONTAINED IN THIS DRAWING IS THE SOLE PROPERTY OF <INSERT COMPANY NAME HERE>. ANY REPRODUCTION IN PART OR AS A WHOLE WITHOUT THE WRITTEN PERMISSION OF <INSERT COMPANY NAME HERE> IS PROHIBITED.

		UNLESS OTHERWISE SPECIFIED:	NAME	DATE	<b>S3 CASES, LLC</b>			
		DIMENSIONS ARE IN INCHES TOLERANCES: FRACTIONAL ± ANGULAR: MACH ± BEND ± TWO PLACE DECIMAL ± THREE PLACE DECIMAL ±	DRAWN	S.D.&D.			11/20/10	
		INTERPRET GEOMETRIC TOLERANCING PER:	CHECKED			TITLE: <b>T5500 CASE EXTERIOR CASE DIMENSIONS</b>		
		MATERIAL <b>SEE INDIVIDUAL COMPONENTS</b>	ENG APPR.					
NEXT ASSY	USED ON	FINISH	MFG APPR.			SIZE DWG. NO.	REV	
APPLICATION		DO NOT SCALE DRAWING	Q.A.			<b>A</b>		
			COMMENTS:			SCALE: 1:4	WEIGHT:	SHEET 1 OF 3

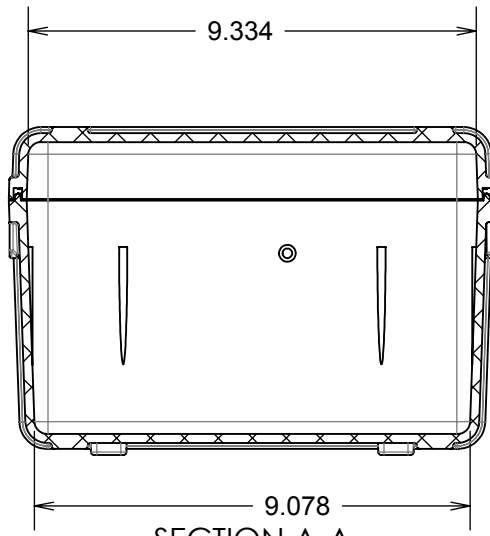
5

4

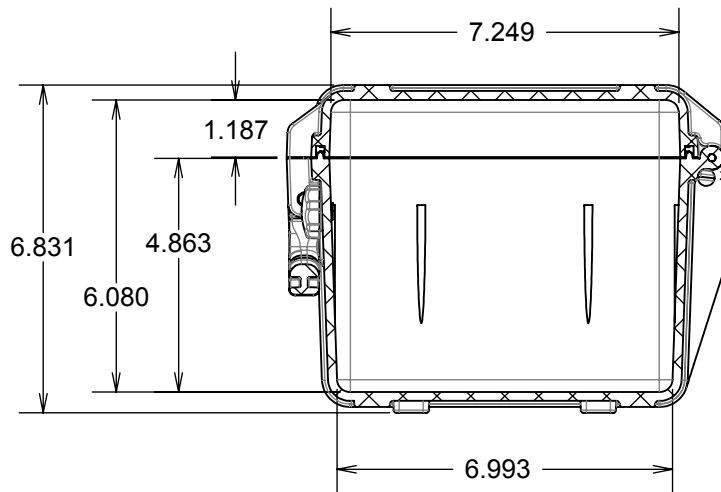
3

2

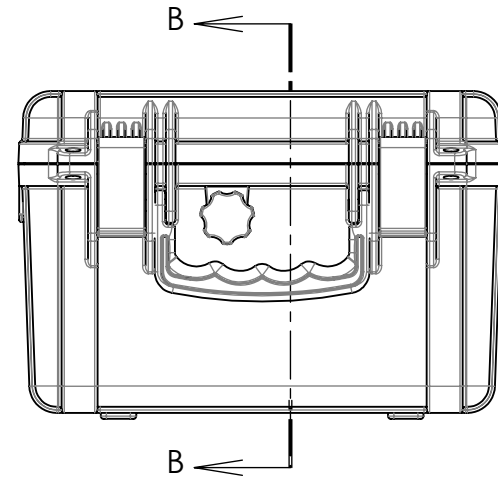
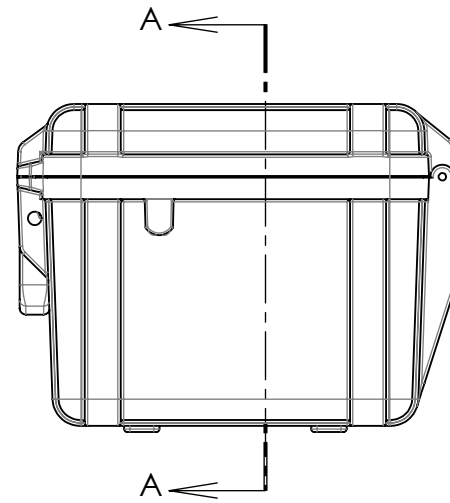
1



SECTION A-A



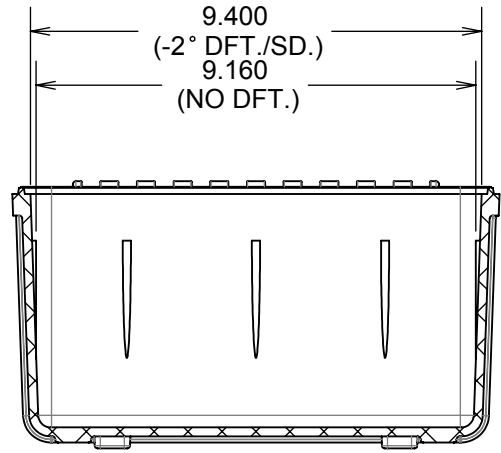
SECTION B-B



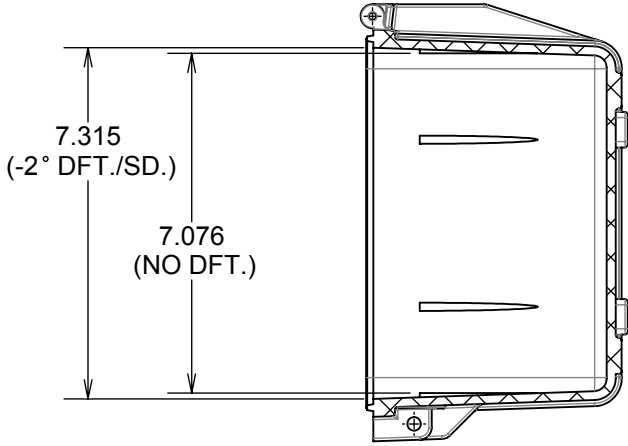
**PROPRIETARY AND CONFIDENTIAL**  
 THE INFORMATION CONTAINED IN THIS DRAWING IS THE SOLE PROPERTY OF <INSERT COMPANY NAME HERE>. ANY REPRODUCTION IN PART OR AS A WHOLE WITHOUT THE WRITTEN PERMISSION OF <INSERT COMPANY NAME HERE> IS PROHIBITED.

		UNLESS OTHERWISE SPECIFIED:	NAME	DATE
		DIMENSIONS ARE IN INCHES	DRAWN	D.S.&D. 11/20/10
		TOLERANCES:	CHECKED	
		FRACTIONAL ±	ENG APPR.	
		ANGULAR: MACH ± BEND ±	MFG APPR.	
		TWO PLACE DECIMAL ±	Q.A.	
		THREE PLACE DECIMAL ±	COMMENTS:	
		INTERPRET GEOMETRIC TOLERANCING PER:		
		MATERIAL <b>SEE INDIVIDUAL COMPONENTS</b>		
NEXT ASSY	USED ON	FINISH		
APPLICATION		DO NOT SCALE DRAWING		

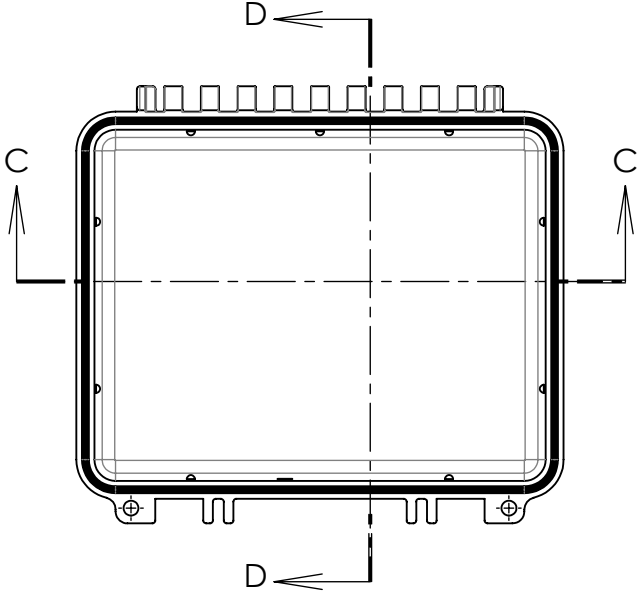
<b>S3 CASES, LLC</b>		
TITLE: <b>T5500 CASE INTERIOR CASE DIMENSIONS</b>		
SIZE <b>A</b>	DWG. NO.	REV
SCALE: 1:4	WEIGHT:	SHEET 2 OF 3



SECTION C-C



SECTION D-D



**PROPRIETARY AND CONFIDENTIAL**  
 THE INFORMATION CONTAINED IN THIS DRAWING IS THE SOLE PROPERTY OF <INSERT COMPANY NAME HERE>. ANY REPRODUCTION IN PART OR AS A WHOLE WITHOUT THE WRITTEN PERMISSION OF <INSERT COMPANY NAME HERE> IS PROHIBITED.

		UNLESS OTHERWISE SPECIFIED:	NAME	DATE
		DIMENSIONS ARE IN INCHES	DRAWN	D.S.&D. 11/20/10
		TOLERANCES:	CHECKED	
		FRACTIONAL ±	ENG APPR.	
		ANGULAR: MACH ± BEND ±	MFG APPR.	
		TWO PLACE DECIMAL ±	Q.A.	
		THREE PLACE DECIMAL ±	COMMENTS:	
		INTERPRET GEOMETRIC TOLERANCING PER:		
		MATERIAL <b>SEE INDIVIDUAL COMPONENTS</b>		
NEXT ASSY	USED ON	FINISH		
APPLICATION		DO NOT SCALE DRAWING		

<b>S3 CASES, LLC</b>		
TITLE: <b>T5500 CASE INTERIOR CASE BOTTOM DIMENSIONS</b>		
SIZE <b>A</b>	DWG. NO.	REV
SCALE: 1:4	WEIGHT:	SHEET 3 OF 3

5

4

3

2

1