

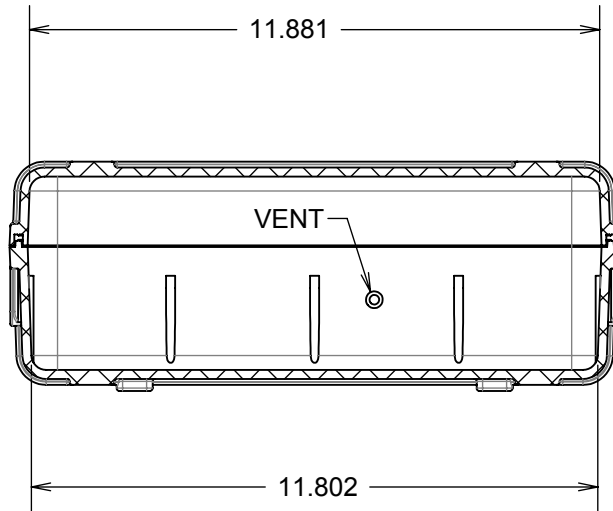
PROPRIETARY AND CONFIDENTIAL
THE INFORMATION CONTAINED IN THIS DRAWING IS THE SOLE PROPERTY OF <INSERT COMPANY NAME HERE>. ANY REPRODUCTION IN PART OR AS A WHOLE WITHOUT THE WRITTEN PERMISSION OF <INSERT COMPANY NAME HERE> IS PROHIBITED.

		UNLESS OTHERWISE SPECIFIED:	NAME	DATE
		DIMENSIONS ARE IN INCHES TOLERANCES: FRACTIONAL ± ANGULAR: MACH ± BEND ± TWO PLACE DECIMAL ± THREE PLACE DECIMAL ±	DRAWN	S.D.&D. 11/23/10
		INTERPRET GEOMETRIC TOLERANCING PER:	CHECKED	
		MATERIAL SEE INDIVIDUAL COMPONENTS	ENG APPR.	
		FINISH	MFG APPR.	
NEXT ASSY	USED ON		Q.A.	
APPLICATION		DO NOT SCALE DRAWING	COMMENTS:	

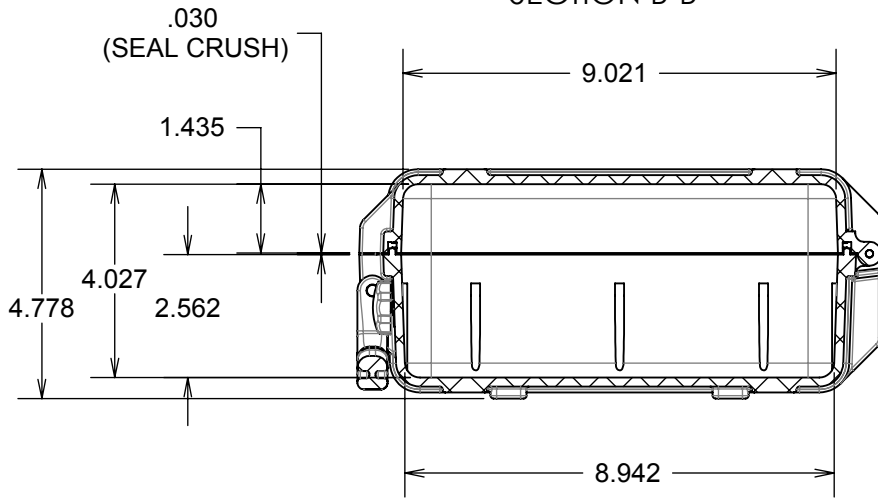
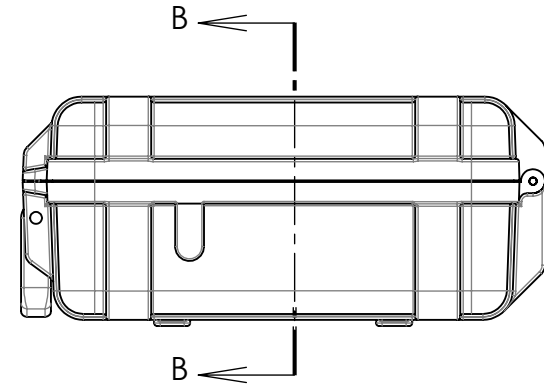
S3 CASES, LLC

TITLE:
**T6000 CASE
EXTERIOR CASE
DIMENSIONS**

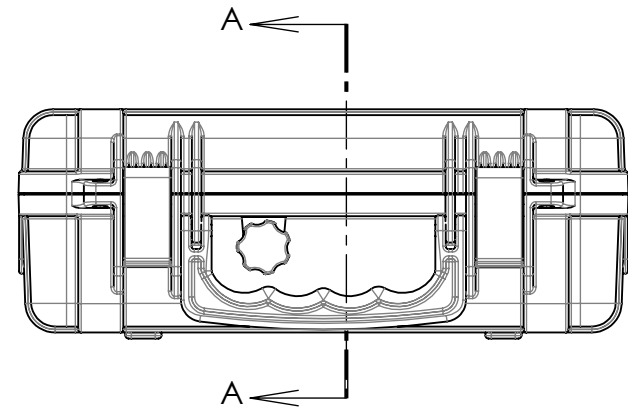
SIZE A	DWG. NO.	REV
SCALE: 1:4	WEIGHT:	SHEET 1 OF 3



SECTION B-B



SECTION A-A



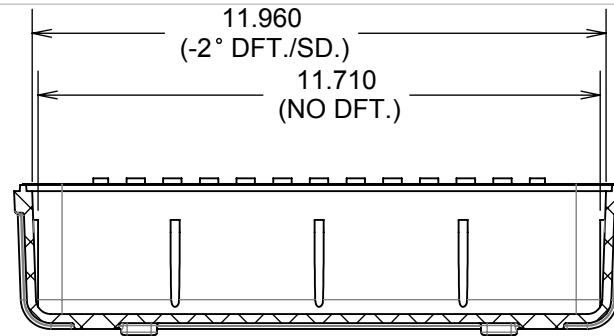
PROPRIETARY AND CONFIDENTIAL
 THE INFORMATION CONTAINED IN THIS DRAWING IS THE SOLE PROPERTY OF <INSERT COMPANY NAME HERE>. ANY REPRODUCTION IN PART OR AS A WHOLE WITHOUT THE WRITTEN PERMISSION OF <INSERT COMPANY NAME HERE> IS PROHIBITED.

		UNLESS OTHERWISE SPECIFIED:	NAME	DATE
		DIMENSIONS ARE IN INCHES TOLERANCES: FRACTIONAL ± ANGULAR: MACH ± BEND ± TWO PLACE DECIMAL ± THREE PLACE DECIMAL ±	DRAWN	S.D.&D. 11/23/10
		INTERPRET GEOMETRIC TOLERANCING PER:	CHECKED	
		MATERIAL SEE INDIVIDUAL COMPONENTS	ENG APPR.	
		FINISH	MFG APPR.	
NEXT ASSY	USED ON		Q.A.	
			COMMENTS:	
APPLICATION		DO NOT SCALE DRAWING		

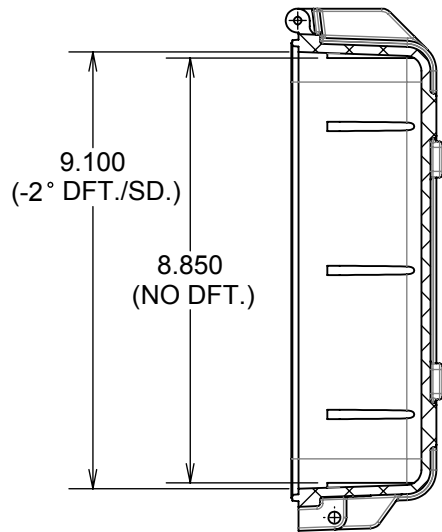
S3 CASES, LLC

TITLE:
**T6000 CASE
 INTERIOR CASE
 DIMENSIONS**

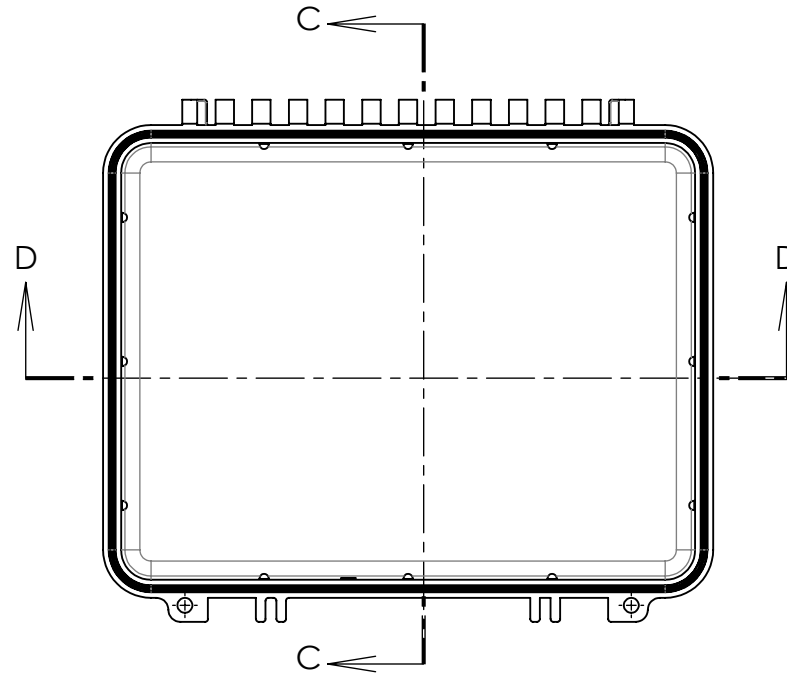
SIZE	DWG. NO.	REV
A		
SCALE: 1:4	WEIGHT:	SHEET 2 OF 3



SECTION D-D



SECTION C-C



PROPRIETARY AND CONFIDENTIAL
 THE INFORMATION CONTAINED IN THIS DRAWING IS THE SOLE PROPERTY OF <INSERT COMPANY NAME HERE>. ANY REPRODUCTION IN PART OR AS A WHOLE WITHOUT THE WRITTEN PERMISSION OF <INSERT COMPANY NAME HERE> IS PROHIBITED.

		UNLESS OTHERWISE SPECIFIED:	NAME	DATE
		DIMENSIONS ARE IN INCHES	DRAWN	S.D.&D. 11/23/10
		TOLERANCES:	CHECKED	
		FRACTIONAL ±	ENG APPR.	
		ANGULAR: MACH ± BEND ±	MFG APPR.	
		TWO PLACE DECIMAL ±	Q.A.	
		THREE PLACE DECIMAL ±	COMMENTS:	
		INTERPRET GEOMETRIC TOLERANCING PER:		
		MATERIAL SEE INDIVIDUAL COMPONENTS		
NEXT ASSY	USED ON	FINISH		
APPLICATION		DO NOT SCALE DRAWING		

S3 CASES, LLC

TITLE:
**T6000 CASE
 INTERIOR CASE BOTTOM
 DIMENSIONS**

SIZE	DWG. NO.	REV
A		
SCALE: 1:4	WEIGHT:	SHEET 3 OF 3