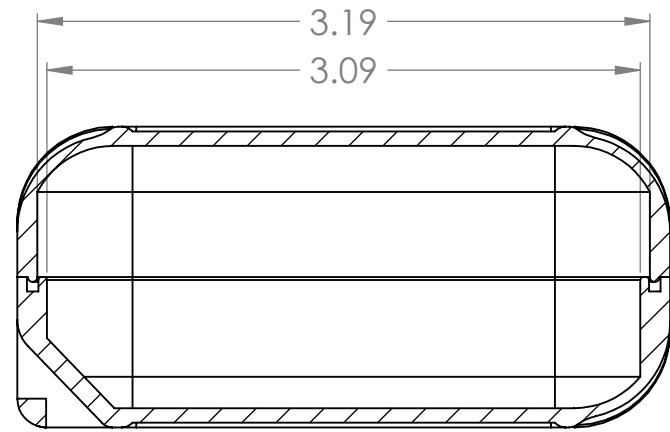


4

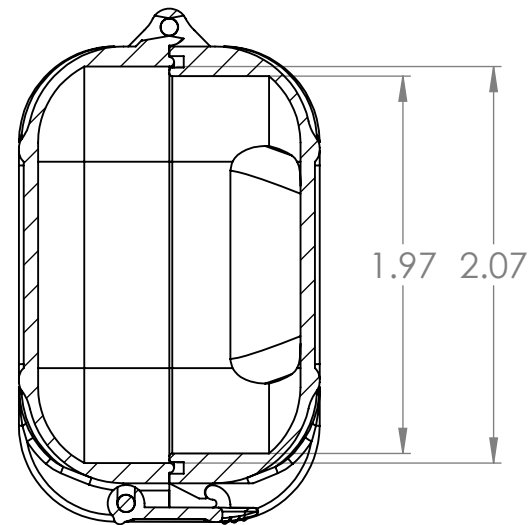
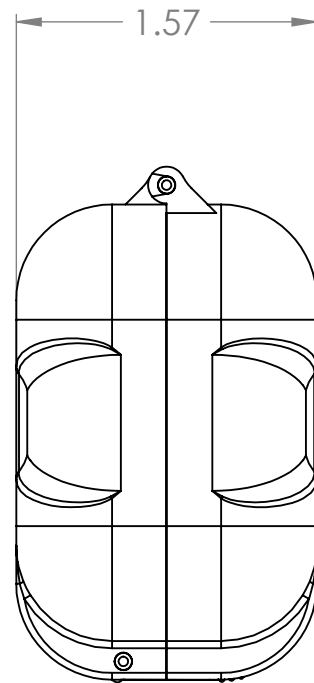
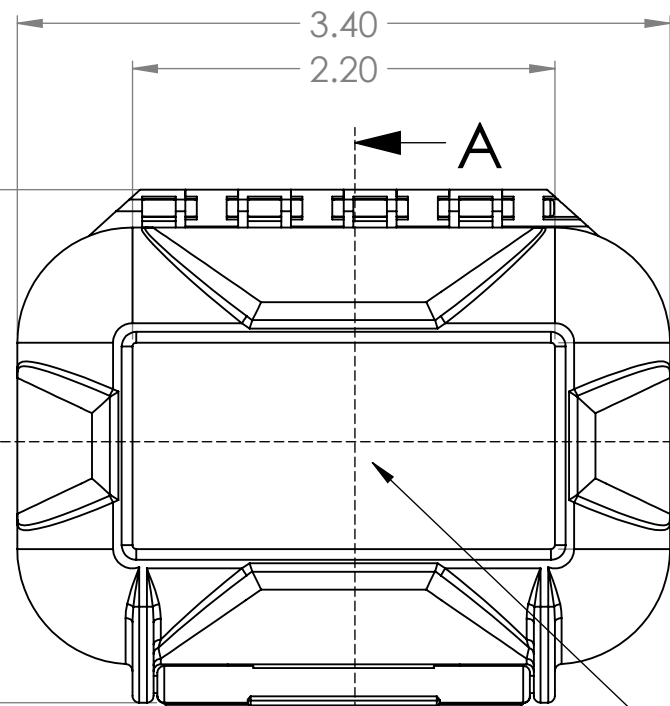
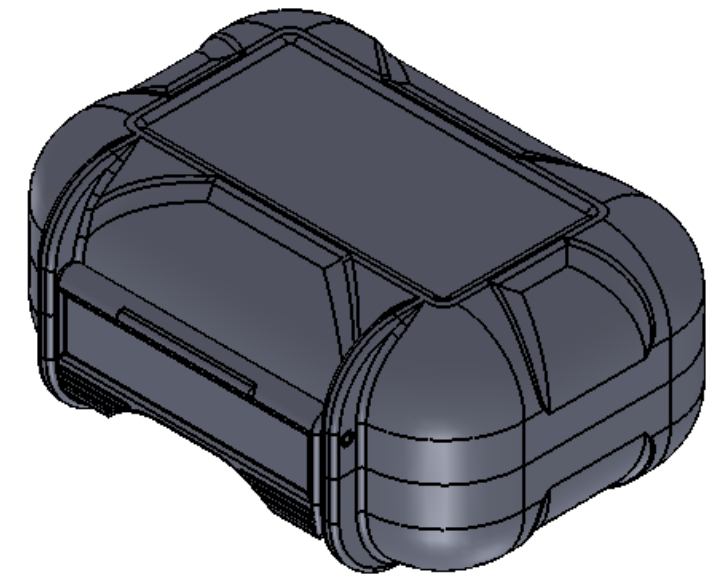
3

2

1



SECTION B-B



SECTION A-A

2.67

B

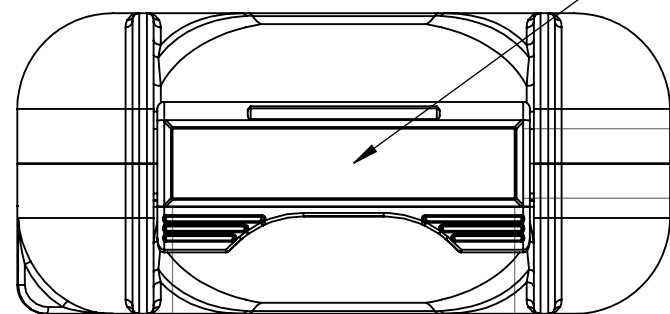
1.08

B

A

Labeling Area A

Labeling Area B



0.36

1.78

4

3

2

1

PROPRIETARY AND CONFIDENTIAL
 THE INFORMATION CONTAINED IN THIS
 DRAWING IS THE SOLE PROPERTY OF
 S3 CASES. ANY
 REPRODUCTION IN PART OR AS A WHOLE
 WITHOUT THE WRITTEN PERMISSION OF
 S3 CASES IS
 PROHIBITED.

		UNLESS OTHERWISE SPECIFIED:	NAME	DATE
		DIMENSIONS ARE IN INCHES	DRAWN	M.A.H.
		TOLERANCES:	CHECKED	06/30/15
		Two Decimals: ±0.01	ENG APPR.	
			MFG APPR.	
		INTERPRET GEOMETRIC	Q.A.	
		TOLERANCING PER: CAD FILE	COMMENTS:	
		MATERIAL Polycarbonate or		
		Polypropylene		
NEXT ASSY	USED ON	FINISH		
		DO NOT SCALE DRAWING		

S3 CASES, LLC
 4041 S. LeMAY Ave. #25
 Fort Collins, CO 80525

TITLE: T500 Case Assembly

SIZE DWG. NO. REV
B **S3 T500**

SCALE: 1:1 WEIGHT: 0.10lbs SHEET 1 OF 1